

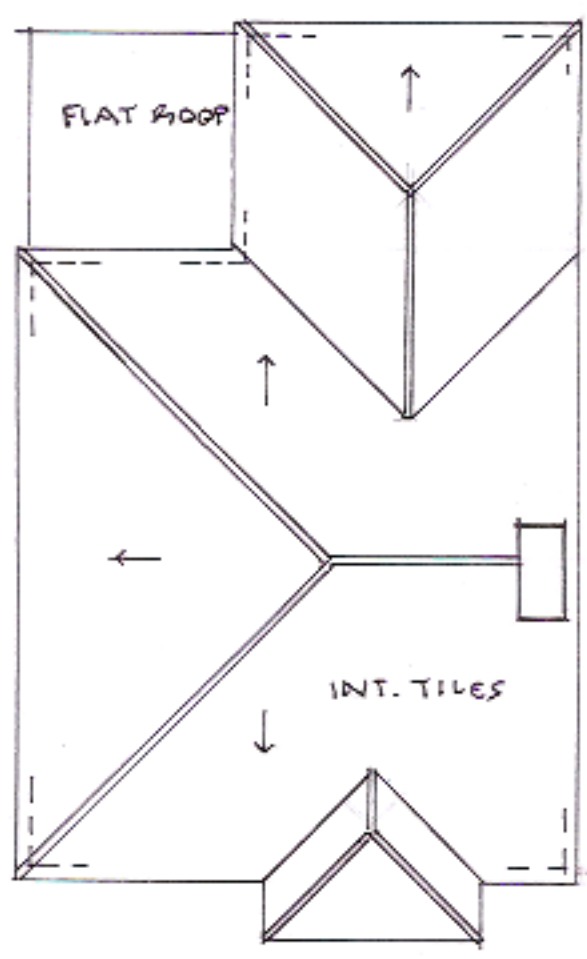
PROPOSED ROOF  
 - SECOND FLOOR  
 48 ATHELSTAN RD  
 HAROLD WOOD

---

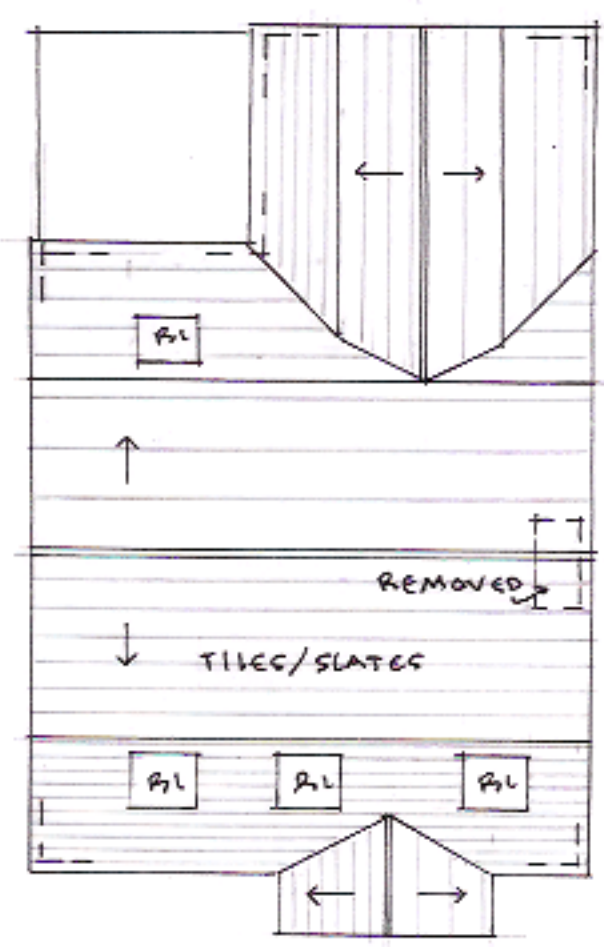
A VAVASSEUR ESQ

SCALE	DATE	OWN. N. S.
1:100	12/23	AV/A

SIDE ELEVATION - NORTH



ROOF PLAN - EXISTING



ROOF PLAN - PROPOSED