

# SJ Stephens Associates

ARBORICULTURAL, LANDSCAPE &  
MANAGEMENT CONSULTANTS

Savernake Barn  
Stokke Common  
Great Bedwyn  
Marlborough  
Wiltshire SN8 3LL  
Tel: 01672 871 862  
www.sjstephens.co.uk  
e: info@sjstephens.co.uk

## **Arboricultural Impact Assessment**

- Tree Survey
- Tree Protection Plan
- Arboricultural Method Statement

### **At:-**

25 Orchard Way  
Harwell  
OX11 0LQ

### **On behalf of:-**

Feltham Properties  
42 London Road  
Newbury  
Berkshire  
RG14 1LA

### **Prepared by:**

Simon Stephens MA Oxon, Dip  
Arb(RFS), MArborA, C Env. MICFor  
Email: [simon@sjstephens.co.uk](mailto:simon@sjstephens.co.uk)

Survey Date: 30<sup>th</sup> January 2019  
Report Date: 28<sup>th</sup> January 2021  
Project no: 1278

## CONTENTS

- 1 BACKGROUND
- 2 SURVEY DETAILS AND SCOPE
- 3 SURVEY LIMITATIONS
- 4 LEGAL PROTECTION OF TREES
- 5 ARBORICULTURAL METHOD STATEMENT
- 6 ARBORICULTURAL IMPACT ASSESSMENT
- 7 REFERENCES

### Appendices

- A Tree Protection Plan: drawing no: 1278-02revA
- B Tree Schedule
- C BS 5837:2012 - Trees in relation to design, demolition and construction, Table 1
- D Tree Protection Fencing Detail
- E Site photos
- F Proposed Site Plan

## 1 BACKGROUND

- 1.1 This Arboricultural Impact Assessment relates to the proposed demolition of the existing property and the construction of five new houses and provides recommendations for the management of trees on the site. It has been instructed by Feltham Properties.
- 1.2 The tree survey was undertaken, and this report has been prepared, by Simon Stephens MA Oxon, Dip Arb (RFS), MArborA, C Env, MICFor a Registered Consultant with the Arboricultural Association, with over 20 years relevant experience.
- 1.3 This survey and report have been prepared in accordance with recommendations provided in BS 5837:2012, Trees in relation to design, demolition and construction - Recommendations.
- 1.4 Documentation supplied:
  - Topographical Survey
  - SJ Stephens Associates, Tree Constraints Plan, drawing no: 1278-01
  - Feltham Properties, Proposed Site Plan: drawing no: P18-020-FPL-030103
  - Feltham Properties, Proposed Site Plan: drawing no: P18-020-FPL-150

## 2 SURVEY DETAILS AND SCOPE

- 2.1 The site survey included trees and shrubs, within influencing distance of the proposed development, with a stem diameter over 75mm at 1.5m height, located within the area shown on the Tree Protection Plan, included as Appendix A.
- 2.2 Tree inspection took place from ground level with the use of binoculars, sounding hammer and metal probe using the Visual Tree Assessment method (Mattheck & Breloer 1994). The presence and condition of bark and stem wounds, cavities, decay, fungal fruiting bodies and any structural defects that could increase the risk of structural failure were noted.
- 2.3 The suitability of trees for inclusion in the future development was considered, in particular considering the safe useful life expectancy, and sustainability, of trees on the site after development is completed.
- 2.4 Tree details have been added to the plan received, which is included as Appendix A. Tree locations have been taken from the topographical survey provided. Where not included on the topographical survey, they have been determined by measuring distances from features shown on the plan, using a laser measuring device. The following information was recorded for each tree, and is shown in the Tree Schedule included as Appendix B:
- **Number:** an identity number for each tree, prefixed with a “T”, which cross references locations shown on the plan with the schedule in Appendix B. Where a number of trees, normally of the same species, are located close together and are similar in character and requirements, they have been treated as a Group under a single Number, prefixed with a “G”.
  - **Species:** common name.
  - **Tree height:** approximate height in metres.
  - **Stem diameter:** diameter in millimetres, taken at 1.5m above ground. Where there are a number of stems, stem diameters are recorded in the condition column.
  - **Branch spread:** approximate spread in metres to N,S,E and W of the trunk. The approximate branch spread is drawn on the plan.
  - **Canopy clearance:** approximate height of the canopy above ground. Where a significant, low lateral branch is present, its height and direction of growth is included in the Condition column.
  - **Age class:** Young, Semi-mature, Early mature, Mature, Over-mature, Veteran.
  - **Condition:** features that affect the safe useful life expectancy and amenity of the tree, including the presence of decay or any physical defect.
  - **Management Recommendations:** recommendations to ensure the health and safety of the tree, within the future development.
  - **Estimated Remaining Contribution:** <10 years, 5-15 years, 10-20 years, 15-30 years, 20-40 years, >40 years.
  - **Category grading:** tree classification taken from BS 5837:2012, Trees in relation to design, demolition and construction (see Appendix C for details), as follows:
    - Category U: Unsuitable for retention, trees with less than 10 years life expectancy, normally recommended for removal (Red)

- Category A: high quality trees, able to make a substantial contribution for at least 40 years, normally retained unless there is an over-riding reason for removal and appropriate mitigation. (Green)
- Category B: moderate quality trees, able to make a significant contribution for at least 20 years, normally retained. (Blue)
- Category B/C: an intermediate category between categories B and C (not specifically described in BS5837). Trees, which should be retained wherever possible, providing retention does not unreasonably constrain the layout. (Blue)
- Category C: low quality, in adequate condition to remain for at least 10 years, or young trees <150mm stem diameter. Trees which can be removed to allow the desired layout or new planting. (Grey)

For category A, B and C trees, a subcategory has been allocated, providing information on the reasons for selection of a specific category, as follows:

- Subcategory 1: mainly arboricultural values.
  - Subcategory 2: mainly landscape values.
  - Subcategory 3: mainly cultural values, including conservation.
- Trees have been classified irrespective of the possible proximity to future construction. The BS 5837 category is colour coded, as indicated above, on the plan included as Appendix A.
  - **Protection Distance:** the protection distance in metres required to provide the Root Protection Area recommended in BS 5837, assuming a circular area centred on the tree.
  - **Root Protection Area (RPA):** the area in m<sup>2</sup>, as recommended in BS 5837, to provide sufficient rooting area to ensure tree survival and which, in most situations, should be fenced off to prevent root damage from construction activities.

### 3 SURVEY LIMITATIONS

- 3.1 No internal decay devices, or other invasive tools to assess tree condition, were used.
- 3.2 No soil excavation or root inspection was carried out.
- 3.3 This survey has not considered the effect that trees or vegetation may have on the structural integrity of future building through subsidence or heave.
- 3.4 The tree survey has been undertaken for planning purposes. Although any obvious structural defects have been noted, a Tree Hazard Assessment has not been carried out. Mature trees close to highly populated areas or public highways should normally be checked for safety annually, by a suitably qualified person.



## **4 LEGAL PROTECTION OF TREES**

- 4.1.1 The Vale of White Horse District Council website was viewed on 28-01-2021, showing that the site does not contain any Tree Preservation Orders, nor does it fall within a Conservation Area. The presence of Planning Conditions currently attached to the site, was not checked.

## **5 ARBORICULTURAL METHOD STATEMENT**

### **5.1 Site Overview**

- 5.1.1 The proposal is for the demolition of the existing property and the construction of five new houses. The proposed site plan is included as Appendix F and has been added to the survey drawing, along with tree details, to create the Tree Protection Plan attached as Appendix A.
- 5.1.2 The garden of 25 Orchard Way contains a range of fruit trees. The majority are in reasonable condition, however none are over 4m in height so contribute little to the local landscape.
- 5.1.3 There is a fine sycamore, T32, growing in the recreation ground next door to the site. This is an important tree, showing good form and vigour and providing high amenity value.

### **5.2 Tree Work**

- 5.2.1 Details of proposed tree works are included in the Tree Schedule included as Appendix B.
- 5.2.2 14 trees and 3 tree/shrub groups are proposed for removal, as detailed in section 6.1 below.
- 5.2.3 All tree work must be undertaken to the standards set out in BS 3998:2010 Tree work – Recommendations.

### **5.3 Root Protection Areas**

- 5.3.1 Root Protection Areas are shown for all trees in the tree schedule attached as Appendix B. They are also shown for all retained trees, as circular areas centred on the trunk, on the Tree Protection Plan attached as Appendix A. This shows the distance that construction must normally be kept back from a tree, to provide the Root Protection Area recommended in BS 5837.

## **5.4 Tree Protection Fencing**

- 5.4.1 Tree Protection Fencing must be erected where shown on the Tree Protection Plan, attached as Appendix A. This will provide full protection of the Root Protection Areas of all retained trees, other than for areas hatched in blue on the Tree Protection Plan, where No-Dig Construction must be used, as described in section 5.5 below, to protect underlying roots.
- 5.4.2 Tree Protection Fencing must be from weldmesh panels, at least 2m high, securely fixed, with wire or scaffold clamps, to a rigid framework. This framework must be constructed from scaffold tubes with vertical tubes, at a maximum interval of 3m and driven into the ground at least 0.6m. The structure must be well braced to resist impacts, constructed as per Figure 2 of BS5837:2012, which is reproduced in Appendix D.
- 5.4.3 Tree Protection Fencing must initially be erected around the outer perimeter of the No-Dig areas, where indicated "D" on the drawing while demolition is undertaken, then only moved to where indicated "C", immediately before the No-Dig surfacing is laid.
- 5.4.4 After erection of Tree Protection Fencing, 2 days notice must be given to the Local Planning Authority before demolition starts on site. Tree Protection Fencing must be maintained and retained for the duration of the works, or until such time as agreed in writing with the Local Planning Authority.
- 5.4.5 Notices must be fixed to the Tree Protection Fencing stating:- "Tree Protection Fencing – No construction activity to take place within this area".

## **5.5 No-Dig Construction Area**

- 5.5.1 The No-Dig Construction area, shown hatched blue on the Tree Protection Plan included as Appendix A, must be constructed without excavation apart from the removal of turf/organic matter, which must be carried out by hand. Excavators, dumpers and other site traffic must not be allowed to track on the No-Dig areas until roots are protected by the No-Dig surfacing or ground protection.
- 5.5.2 Engineering details must avoid localised compaction, using both a two dimensional geogrid, and a three dimensional cellular confinement system as integral components of the sub-base. A typical section is shown on the Tree Protection Plan included as Appendix A. As well as being fit for purpose, the design and methodology must protect tree roots, by ensuring the following:-
  - topsoil/turf can be removed carefully by hand to a maximum of 75mm, but less if roots are found nearer the surface.
  - following leveling with soil or sand, a permeable, non-woven geotextile membrane, must be laid.

- a suitable two dimensional geogrid, such the TriAx Geogrid supplied by Tensar International ([www.tensar.co.uk](http://www.tensar.co.uk)), or the Biaxial Geogrid supplied by Geosynthetics Ltd ([www.geosyn.co.uk](http://www.geosyn.co.uk)), must be laid over the entire area and underneath the edging.
- Kerb stones must be laid on top of the geotextile and geogrid. If required steel reinforcing rods can be driven to provide additional anchorage for kerb stones.
- a suitable cellular confinement system must then be laid to manufacturers instructions on top of the geogrid. Products that might be considered include Geoweb, supplied by Greenfix ([www.greenfix.co.uk](http://www.greenfix.co.uk)) or Cellweb, supplied by Geosynthetics Ltd ([www.geosyn.co.uk](http://www.geosyn.co.uk)). The depth of the system must be adequate to take the maximum axle weight, as per manufacturers guidance.
- the cellular confinement system must be filled with clean (no fines), washed angular, 4/20mm, stone to provide load support, while allowing air and moisture to permeate to the root zone.
- a further permeable, non-woven geotextile membrane, such as TreetexT300, or an alternative approved product which has similar oil trapping qualities, must be laid over the cellular confinement system.
- a porous, surfacing material, free from contaminants, must then be laid. Either sand bedding and block paving, gravel or permeable tarmac would be suitable.
- removed turf/topsoil can be used to grade surrounding ground levels.

5.5.3 Site traffic, including pedestrians, must not be allowed on the No-Dig area until roots are protected by the No-Dig surfacing, or unless suitable ground protection has been laid. If access is required across No-Dig areas for plant, before the No-Dig surfacing is laid, ground protection panels must be laid. Either Trakmats (supplied by the Marwood Group, [www.marwoodgroup.co.uk](http://www.marwoodgroup.co.uk)), Groundtrax panels (see [www.groundtrax.com](http://www.groundtrax.com)), Ground-Guards, as supplied by Greentek ([www.greentek.org.uk](http://www.greentek.org.uk)), or a similar approved product, must be used, laid on top of a compressible layer of sand or woodchips, laid onto a geotextile. If access is required for pedestrians, 25mm plywood or side butting scaffold boards must be laid, on top of a compressible layer of sand or woodchips, laid onto a geotextile.

5.5.4 No-Dig construction will result in an increase in levels. This must be fully taken account of in all other aspects of the design.

## 5.6 General measures

5.6.1 No construction activity whatsoever, including routing of underground services, storage of materials or on-site parking, must be allowed within Root Protection Areas, other than that specifically described above.

5.6.2 No mixing of cement, or concrete, or storage of fuel must take place within 10m of retained trees, nor in any position where the slope of the ground could lead to contamination of the Root Protection Area.

- 5.6.3 Fires must not be lit in a position where their flames could extend to within 10m of foliage, branches or trunk.
- 5.6.4 Landscape works carried out within Root Protection Areas must be undertaken with great care so as not to damage shallow roots. Tractor mounted rotovators or other heavy mechanical cultivation must not be used within the Root Protection Areas.
- 5.6.5 A copy of the Tree Protection Plan must be kept on site and must be fully understood by the Site Agent.

## **5.7 Bat roosts**

- 5.7.1 The current legislation makes it a criminal offence to disturb, damage or destroy any bat roost or hibernation area. Contractors must be reminded of their responsibilities and should contact the relevant authorities if any signs of bats are found.

## **5.8 Birds**

- 5.8.1 The current legislation makes it a criminal offence to disturb nesting birds. The nesting season is generally assumed to be from 1<sup>st</sup> March to 31<sup>st</sup> July, however this can vary depending on species and location. During these months a careful inspection must be made before work commences and works must be postponed if active nests are found.

## **5.9 Arboricultural Supervision**

- 5.9.1 A qualified Arboricultural Consultant must be retained during the period of construction to carry out the following:
  - to meet with/ liaise with the contractor, prior to construction or demolition starting on site, to ensure this Arboricultural Method Statement is fully understood and can be complied with in full. If any revisions are required, a revised Arboricultural Method Statement must be approved by the Local Planning Authority, prior to construction or demolition starting on site.
  - to inspect Tree Protection Fencing and ground protection, prior to construction or demolition starting on site.
  - to visit site as construction of the No-Dig section starts.
  - as necessary, to advise on any issues at the request of the local planning authority, the developer, architect or contractor.

The details of each site visit must be recorded, with copies circulated to the contractor, developer and the local authority Tree Officer within 3 working days of the visit

## **6 ARBORICULTURAL IMPACT ASSESSMENT**

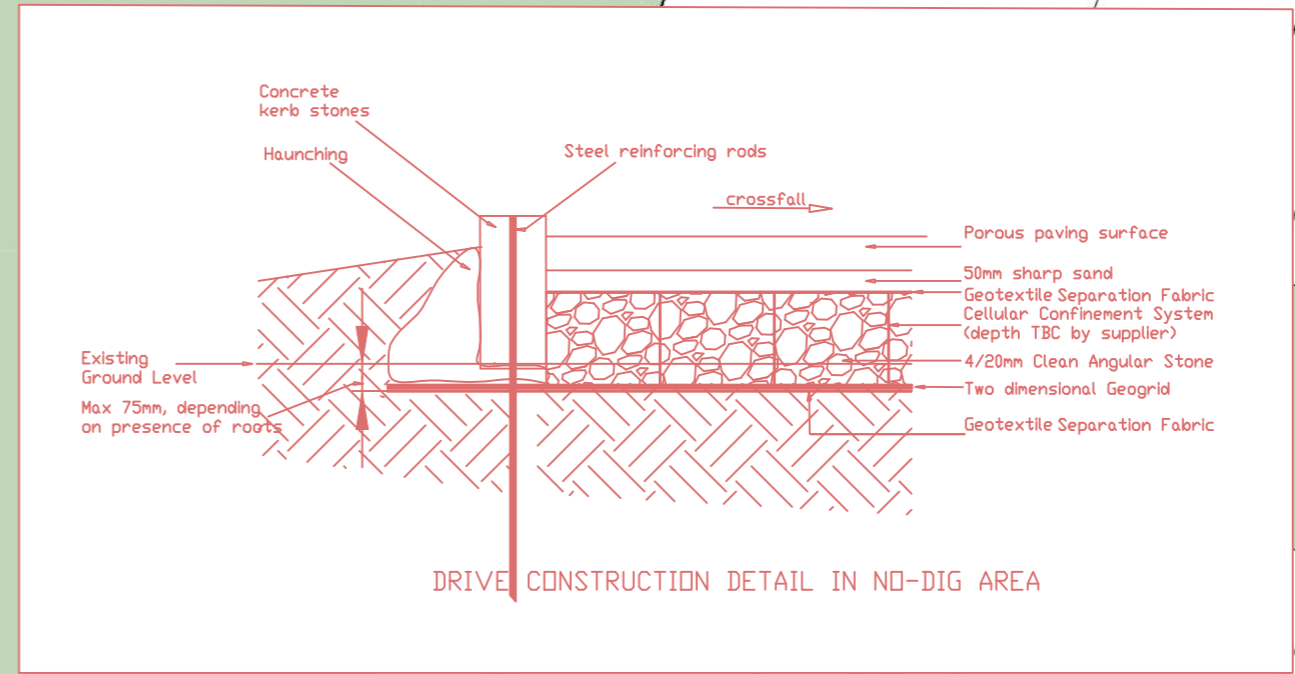
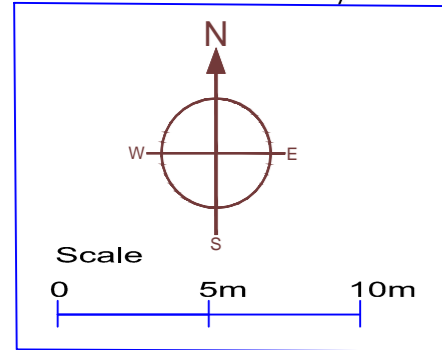
- 6.1** The following trees / tree groups, categorized as per BS 5837 (see Appendix C for details), are proposed for removal:
- Category C – low quality: 9 trees and 3 groups of shrubs/hedging (G12, G13 and G14).
  - Category B/C – between categories B and C: 5 trees:-
    - T1, T8, T9, T10 and T11 – four fruit trees, all less than 5m in height
- 6.2** Although the majority of trees on the site are scheduled for removal, none of them are of any landscape significance and removal will make way for a comprehensive new landscape scheme to be implemented.
- 6.3** Tree protection measures have been specified to protect the Root Protection Areas of retained trees. No Dig construction will cover 39m<sup>2</sup> of the Root Protection Area of the sycamore, T32. The approximate extent of this area is indicated on the photo in Appendix E. This equates to 8.7% of the Root Protection Area, which is well below the 20% maximum recommended in BS5837:2012.
- 6.4** Although preservation of Root Protection Areas is deemed to protect tree roots, in some cases buildings may need to be set further back to ensure the future sustainability of trees. If large trees are too close to buildings, future occupiers may be likely to seek their reduction, or removal, if they are cutting out excessive sunlight or providing a claustrophobic or threatening environment. Section 5.2.2 of BS 5837:2012 states that “an indication of potential direct obstruction of sunlight can be illustrated by plotting a segment with a radius from the centre of the stem equal to the height of the tree, drawn from due North West to due East, indicating the shadow pattern through the main part of the day.”
- 6.5** The shading pattern for the sycamore, T32, has been shown on the plan. This shows that the southern end of house in plot 2 will be shaded during the middle part of the day, apart from during mid summer when the sun will be high enough to shine over the top of the tree. However, this is unlikely to be an issue since the house has a generous garden which will not be shaded by the tree. As can be seen from the photo in Appendix E, the tree has a high canopy making it less imposing. The fact that the tree will not be in the house holder’s ownership also makes it less likely that tree work will be proposed.
- 6.6** Provided the recommendations in this report are followed, the arboricultural impact of this development is considered acceptable. Arboricultural supervision has been included to assist with tree protection measures and a landscape plan, including new tree planting can be conditioned.

## **7 REFERENCES**

- *BS5837:2012 Trees in relation to design, demolition and construction – Recommendations.*
- *BS3998:2010 Tree Work. Recommendations.*
- *NJUG 10: Guidelines for the planning, installation and maintenance of Utility Services in proximity to trees. (Published by the National Joint Utilities Group).*
- *The Body Language of Trees: A handbook for Failure Analysis. Mattheck & Breloer.*
- *The use of Cellular Confinement systems near Trees: a guide to good practice Arboricultural Association Guidance Note 12.*



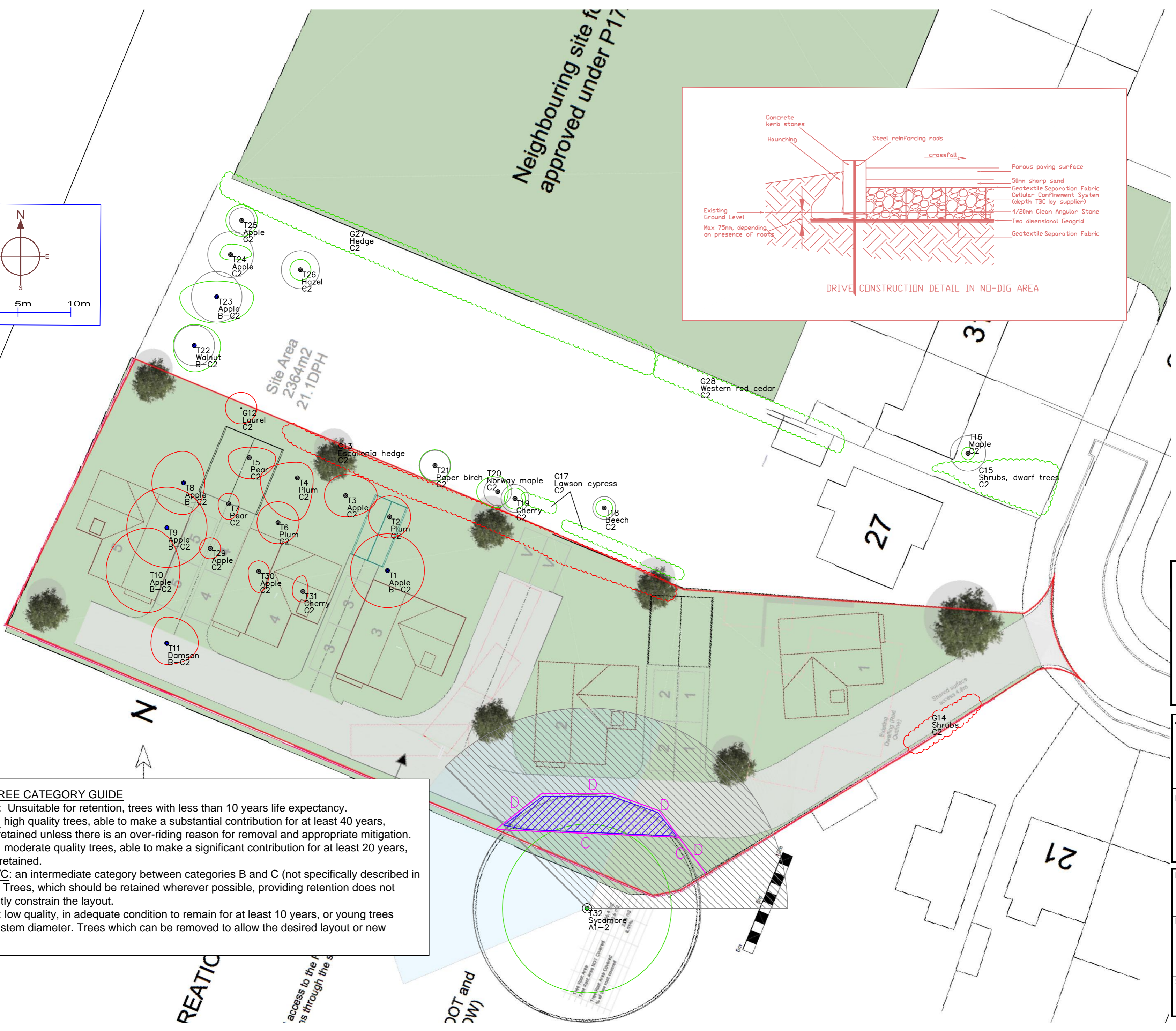
Neighbouring site for approved under P17



**APPENDIX A**

**Key**

- Category U
- Category A
- Category B
- Category C
- Crown spread: retained trees
- Trees For Removal
- Root Protection Area
- Tree Protection Fence
- location: demolition
- location: construction
- No Dig Construction
- BS 5837 Shade Area



**BS 5837: TREE CATEGORY GUIDE**  
**Category U:** Unsuitable for retention, trees with less than 10 years life expectancy.  
**Category A:** high quality trees, able to make a substantial contribution for at least 40 years, normally retained unless there is an over-riding reason for removal and appropriate mitigation.  
**Category B:** moderate quality trees, able to make a significant contribution for at least 20 years, normally retained.  
**Category B/C:** an intermediate category between categories B and C (not specifically described in BS5837). Trees, which should be retained wherever possible, providing retention does not significantly constrain the layout.  
**Category C:** low quality, in adequate condition to remain for at least 10 years, or young trees <150mm stem diameter. Trees which can be removed to allow the desired layout or new planting.

**SJ Stephens Associates**  
 Savernake Barn, Stokke Common  
 Great Bedwyn  
 Marlborough  
 Wiltshire SN8 3LL  
 01672 871862  
 www.sjstephens.co.uk

JOB TITLE ORCHARD WAY	
DRAWING TITLE TREE PROTECTION PLAN	
DRAWING NUMBER 1278-02	REV A
REVISIONS	
SCALE 1:250 at A2	DATE JAN 21
DRAWN BY sjss	



## Orchard Way

Appendix B  
BS 5837: 2012 Tree Schedule

Tree/ Group No.	Species	Height (m)	Stem Diam. at 1.5m (mm)	Branch Spread (m)				Canopy Clearance (m)	Age Class	Observations	Management Recommendations	Estimated Remaining Contribution (years)	BS 5837 Category Grading	Protect- ion Distnce (m)	Root Protect. Area (m2)
				N	S	E	W								
T1	Apple	3.5	220	3.5	3.5	3.5	3.5	1.4	Mature	Small growing variety. Dense crown structure. Attractive shape.	Remove.	15-30	B-C2	2.6	22
T2	Plum	4	120	2	2	2	2	1	Mature	Leaning to east. Broken branches.	Remove.	10-20	C2	1.4	7
T3	Apple	3	140	2	2	3	2	1.5	Mature	Congested canopy decay point on main stem.	Remove.	10-20	C2	1.7	9
T4	Plum	4	190	1.5	4	1.5	3.5	1.6	Mature	Three stems from 0.3m- average 110mm. Largest stem removed.	Remove.	10-20	C2	2.3	16
T5	Pear	2.3	110	1	2	2.5	2	1.0	Mature	Small growing variety. Reasonable vigour.	Remove.	15-30	C2	1.3	5
T6	Plum	3.5	180	2	2	2	2	1.6	Mature	Crudely pruned. Decay point to main stem.	Remove.	10-20	C2	2.2	15
T7	Pear	2	130	1	1.5	1	1	1.1	Mature	Small growing variety.	Remove.	10-20	C2	1.6	8
T8	Apple	3	220	3	3	2	3	1.5	Mature		Remove.	15-30	B-C2	2.6	22
T9	Apple	2.5	320	4	4	4	3	1.3	Mature	Top branches pruned to create a wide spreading attractive tree. Decay beginning in pruning wounds.	Remove.	15-30	B-C2	3.8	46
T10	Apple	2.5	330	4	4	3	4	1.2	Mature	Top branches pruned to create a wide spreading attractive tree. Decay beginning in pruning wounds.	Remove.	15-30	B-C2	4.0	49
T11	Damson	5	240	2.5	2	3	1.5	1.5	Mature	Previously topped at 2.5m. Dense canopy. <i>Phellinus</i> sp. fungal brackets on main stem.	Remove.	15-30	B-C2	2.9	26
G12	Laurel	2	110	1.5	1.5	1.5	1.5	0.1	Early mature		Remove to allow new hedge planting	10-20	C2	1.3	5
G13	Escallonia hedge	1.7-2	20					0.4	Mature	Stem diameter 10-20mm. Foliage thinning. Leaf spot disease.	Remove to allow new hedge planting	5-15	C2	0.2	0
G14	Shrubs	1.8-2.2	25-50					0.1	Mature	Mixture of species- tightly cut back at various points in past.	Remove.	10-20	C2	0.6	1
G15	Shrubs, dwarf trees	1-2.5	120					0.1	Mature	Stem diameter 25-120mm. Tightly clipped.		10-20	C2	1.4	7
T16	Maple	1.8	140	0.6	0.6	0.6	0.6	1.5	Semi- mature	Tightly clipped tree. Basal decay.		5-15	C2	1.7	9
G17	Lawson cypress	2	75					0.1	Early mature	Stem diameter 50-75mm. Tightly clipped. Only moderate vigour.		10-20	C2	0.9	3
T18	Beech	2.1	90	0.8	0.8	0.8	0.8	0.8	Semi- mature	Regularly pruned to size, but could develop if allowed to.		>40	C2	1.1	4
T19	Cherry	2.5	110	1	1	1	1	1.6	Semi- mature	Gum excaudate to main stems.		10-20	C2	1.3	5
T20	Norway maple	2.5	110	1.5	1.5	1	2	1.6	Semi- mature	Regularly topped.		>40	C2	1.3	5
T21	Paper birch	2.5	120	1.5	1.5	1.5	1.5	1.6	Semi- mature	Regularly topped. Attractive tree.		20-40	C2	1.4	7
T22	Walnut	2.7	160	2	2.5	2.5	2	1.6	Semi- mature	Regularly topped.		20-40	B-C2	1.9	12

## Orchard Way

Appendix B  
BS 5837: 2012 Tree Schedule

Tree/ Group No.	Species	Height (m)	Stem Diam. at 1.5m (mm)	Branch Spread (m)				Canopy Clearance (m)	Age Class	Observations	Management Recommendations	Estimated Remaining Contribution (years)	BS 5837 Category Grading	Protect- ion Distnce (m)	Root Protect. Area (m2)
				N	S	E	W								
T23	Apple	2.8	200	1.5	2.5	3.5	3.5	1.6	Early mature	Regularly topped.		15-30	B-C2	2.4	18
T24	Apple	2	180	1	0.5	2	1	1	Early mature	Small growing variety.		15-30	C2	2.2	15
T25	Apple	2	100	1.5	1.5	1.5	1.5	0.4	Early mature	Small growing variety.		15-30	C2	1.2	5
T26	Hazel	2	150	1	1	1	1	0.1	Semi- mature	Multiple stems from base.		20-40	C2	1.8	10
G27	Hedge	2	50					0	Mature	Stem diameter 25-50mm. Tightly trimmed hedge- majority laurel, with patches of cypress.		15-30	C2	0.6	1
G28	Western red cedar	2	75					0	Early mature	Stem diameter 25-75mm. Tightly clipped evergreen hedge.		10-20	C2	0.9	3
T29	Apple	1.6	50	1	1	1	1	0.3	Early mature	Dwarf tee.	Remove.	10-20	C2	0.6	1
T30	Apple	2	110	1	2	1	1	0.8	Early mature	Small growing tree.	Remove.	15-30	C2	1.3	5
T31	Cherry	1.8	50	1.5	1	0.5	1	0.4	Early mature	Dwarf variety.	Remove.	10-20	C2	0.6	1
T32	Sycamore	19	900	8	8	8	8	N4,S3, E5,W3	Mature	Fine tree, growing 3m outside site. Good canopy shape and vigour. Low branches over site pruned to boundary in past.	Remove two small secondary branches (<75mm diameter) to lift canopy over new access.	>40	A1-2	10.8	366

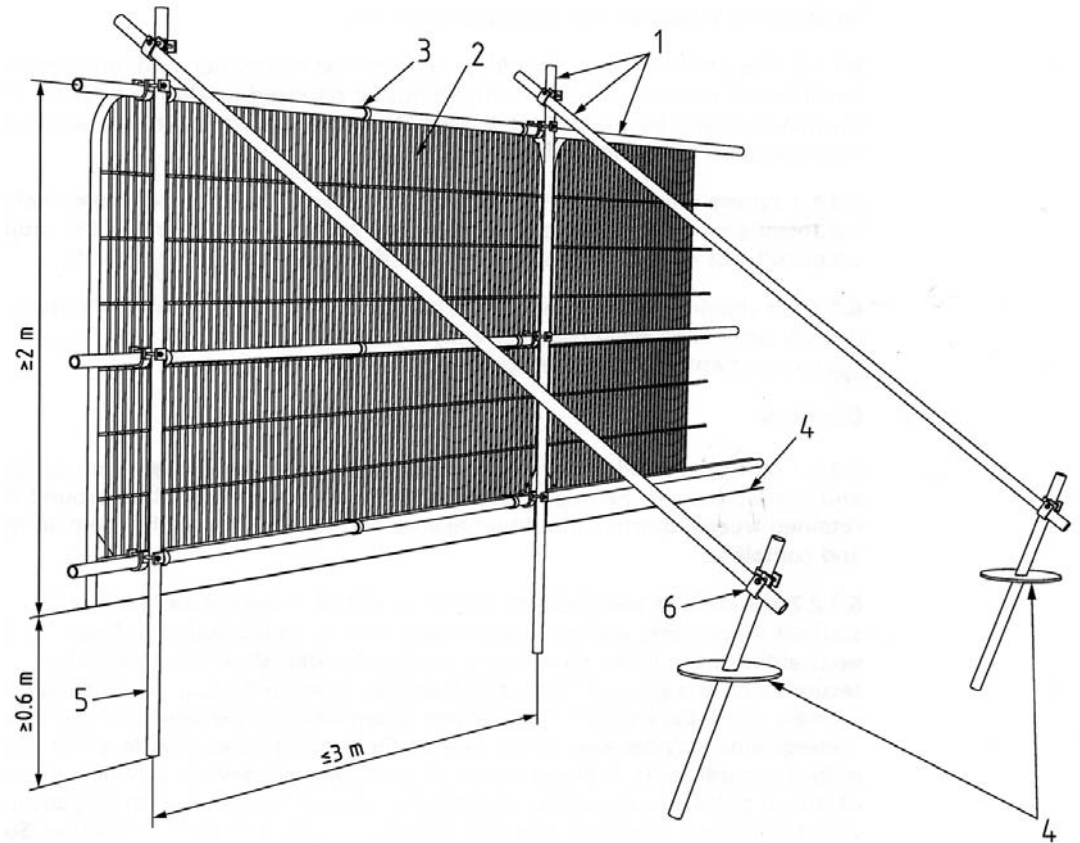
BS 5837:2012, Table 1 Cascade chart for tree quality assessment

Category and definition	Criteria (including subcategories where appropriate)			Identification on plan
<b>Trees unsuitable for retention</b> (see Note)				
<b>Category U</b> Those in such a condition that they cannot realistically be retained as living trees in the context of the current land use for longer than 10 years	<ul style="list-style-type: none"> <li>Trees that have a serious, irremediable, structural defect, such that their early loss is expected due to collapse, including those that will become unviable after removal of other category U trees (e.g. where, for whatever reason, the loss of companion shelter cannot be mitigated by pruning)</li> <li>Trees that are dead or are showing signs of significant, immediate, and irreversible overall decline</li> <li>Trees infected with pathogens of significance to the health and/or safety of other trees nearby, or very low quality trees suppressing adjacent trees of better quality</li> </ul> <p><i>NOTE Category U trees can have existing or potential conservation value which it might be desirable to preserve; see 4.5.7.</i></p>			Canopy coloured red
	<b>1 Mainly arboricultural qualities</b>	<b>2 Mainly landscape qualities</b>	<b>3 Mainly cultural values, including conservation</b>	
<b>Trees to be considered for retention</b>				
<b>Category A</b> <b>Trees of high quality</b> with an estimated remaining life expectancy of at least 40 years	Trees that are particularly good examples of their species, especially if rare or unusual; or those that are essential components of groups or formal or semi-formal arboricultural features (e.g. the dominant and/or principal trees within an avenue)	Trees, groups or woodlands of particular visual importance as arboricultural and/or landscape features	Trees, groups or woodlands of significant conservation, historical, commemorative or other value (e.g. veteran trees or wood-pasture)	Canopy coloured green
<b>Category B</b> <b>Trees of moderate quality</b> with an estimated remaining life expectancy of at least 20 years	Trees that might be included in category A, but are downgraded because of impaired condition (e.g. presence of significant though remediable defects, including unsympathetic past management and storm damage), such that they are unlikely to be suitable for retention for beyond 40 years; or trees lacking the special quality necessary to merit the category A designation	Trees present in numbers, usually growing as groups or woodlands, such that they attract a higher collective rating than they might as individuals; or trees occurring as collectives but situated so as to make little visual contribution to the wider locality	Trees with material conservation or other cultural value	Canopy coloured blue
<b>Category C</b> <b>Trees of low quality</b> with an estimated remaining life expectancy of at least 10 years, or young trees with a stem diameter below 150 mm	Unremarkable trees of very limited merit or such impaired condition that they do not qualify in higher categories	Trees present in groups or woodlands, but without this conferring on them significantly greater collective landscape value; and/or trees offering low or only temporary/transient landscape benefits	Trees with no material conservation or other cultural value	Canopy coloured grey

Figure 2

**Key**

- 1 Standard scaffold poles
- 2 Heavy gauge 2 m galvanised tube and welded mesh infill panels
- 3 Panels secured to uprights and cross-members with wire ties
- 4 Ground level
- 5 Uprights driven into the ground until secure (minimum depth 0.6 m)
- 6 Standard scaffold clamps



**Examples of above-ground stabilising systems**

Figure 3a

Stabiliser strut with base plate secured with ground pins

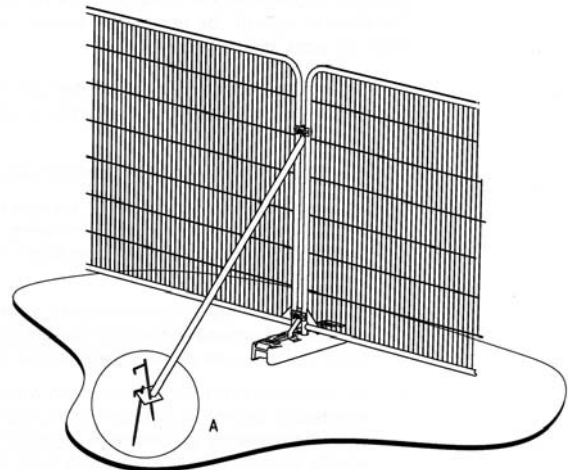
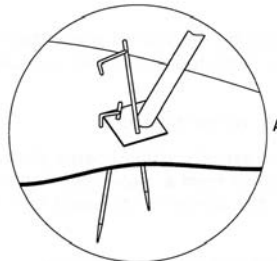
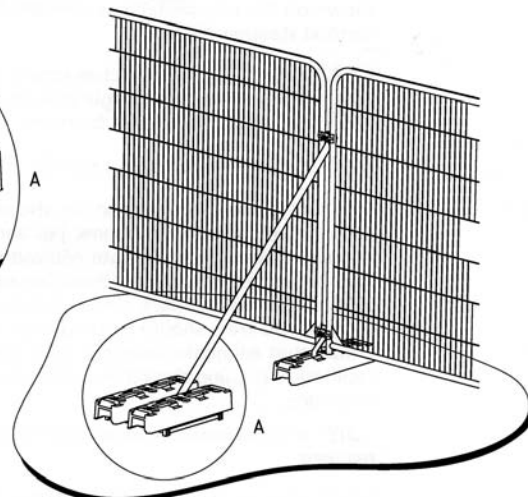
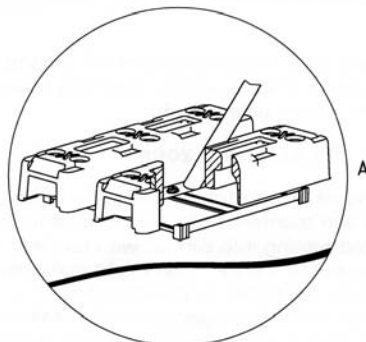


Figure 3b

Stabiliser strut mounted on block tray







Two small secondary branches to be pruned

Approx location of new access drive



